

FIG. 1 OF 2

+

42

1/23

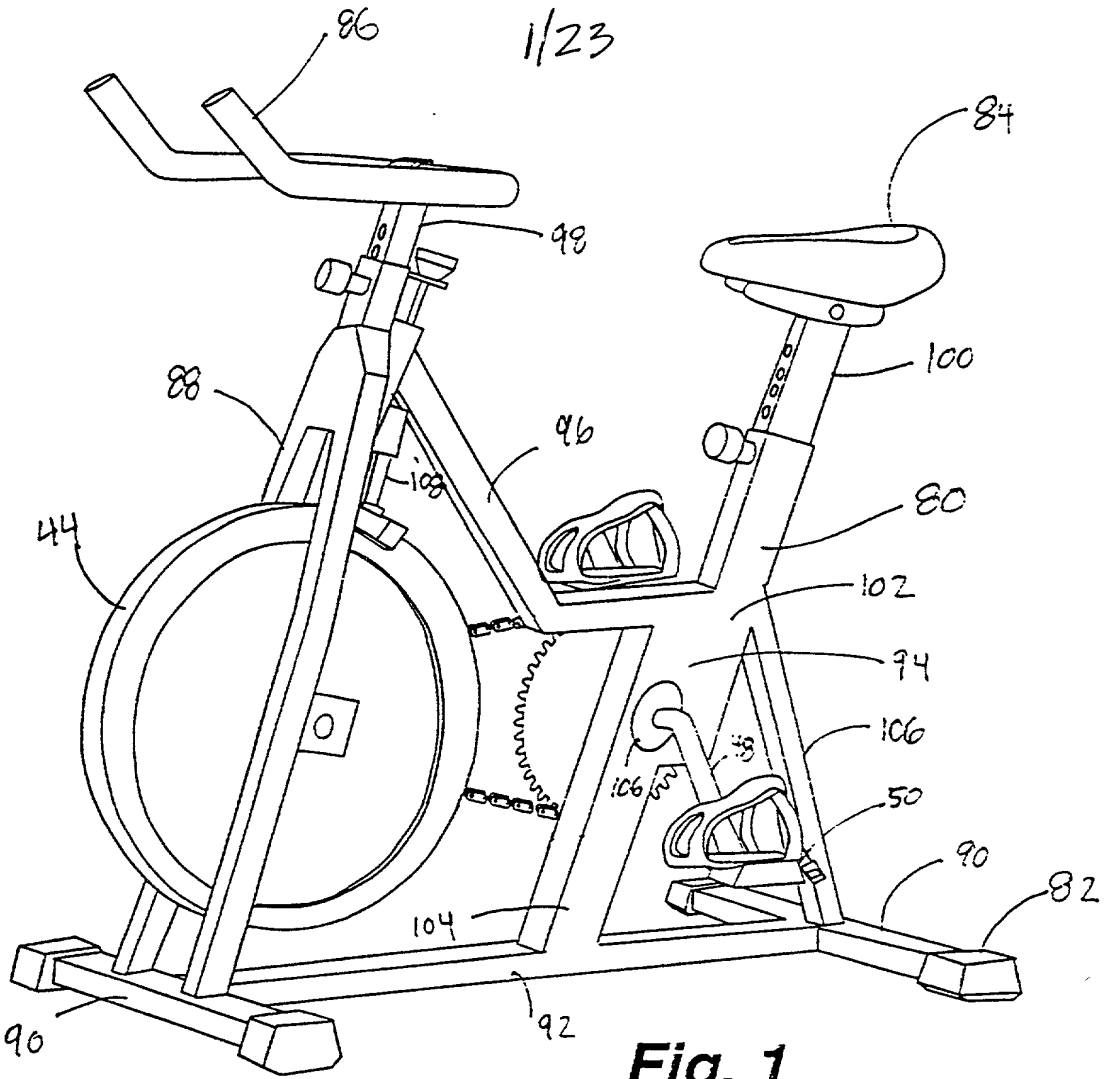


Fig. 1

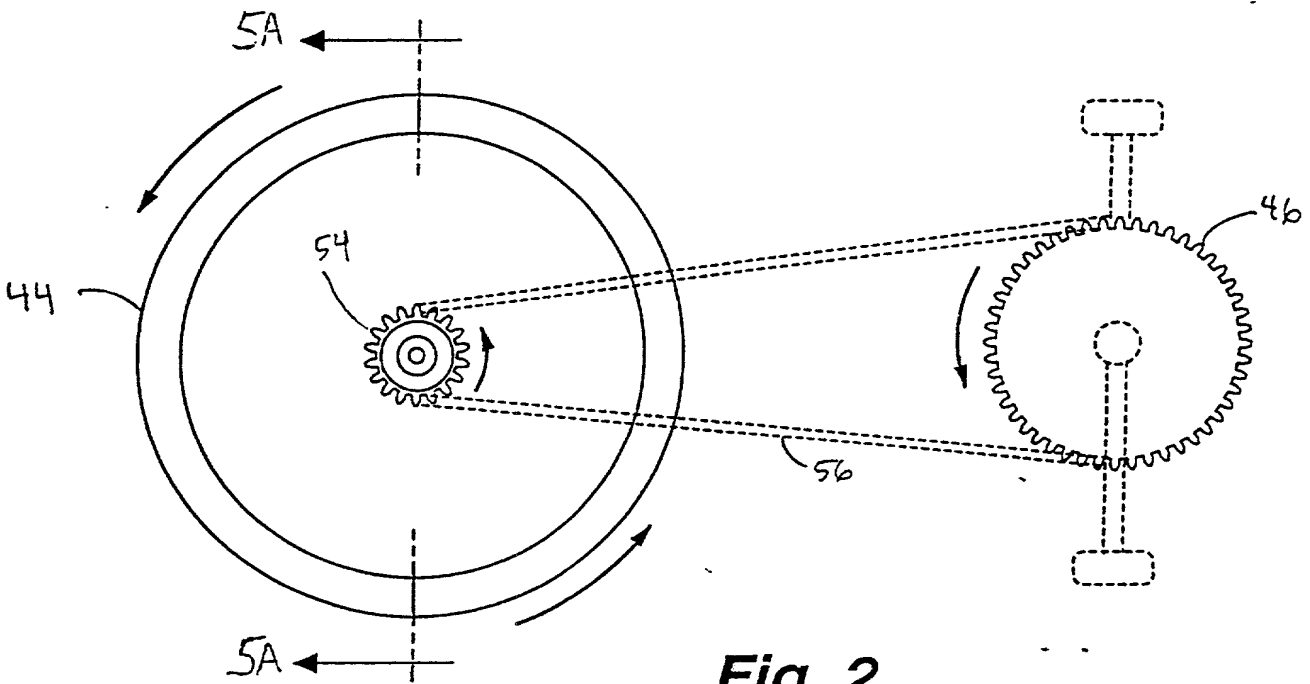


Fig. 2

⊥

+

FIG. 4 - 02960560

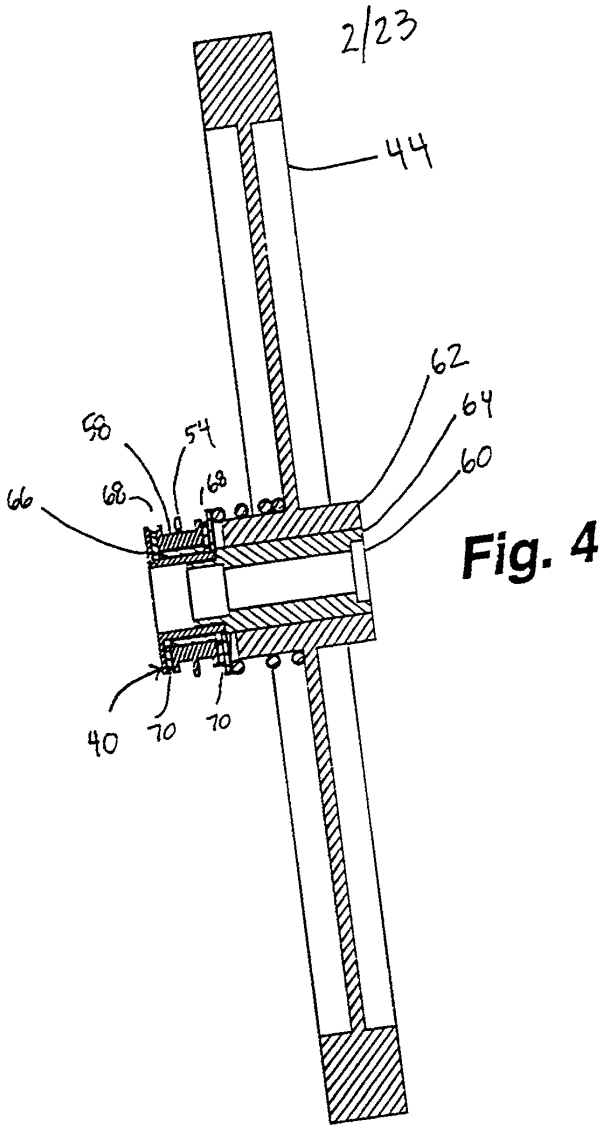


Fig. 4

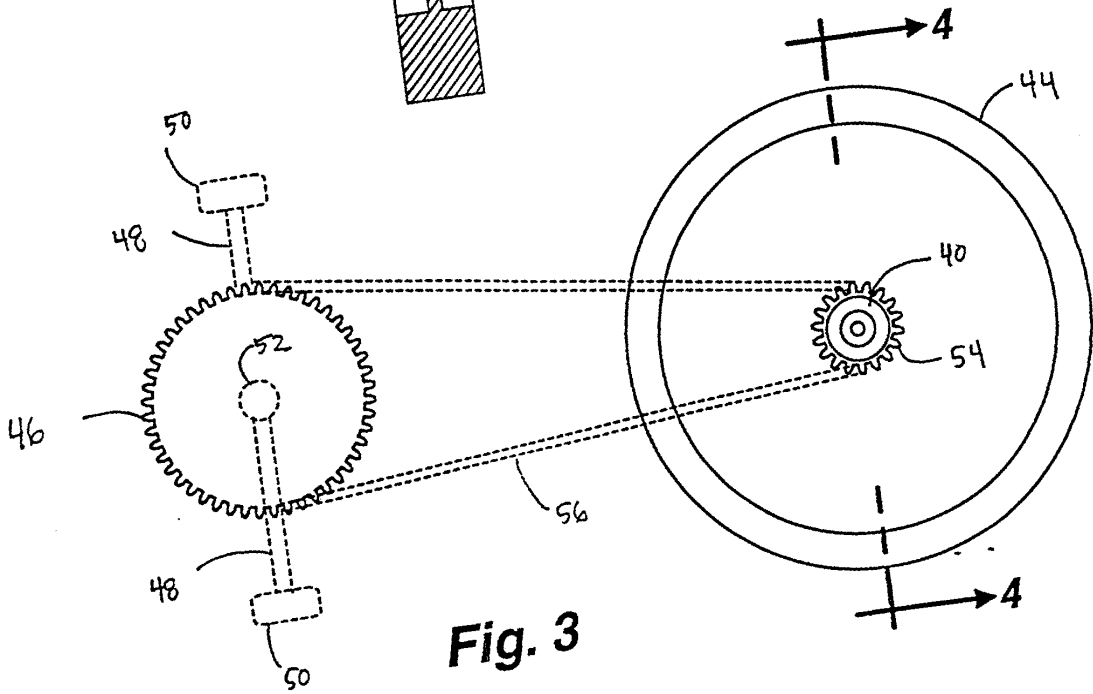


Fig. 3

⊥

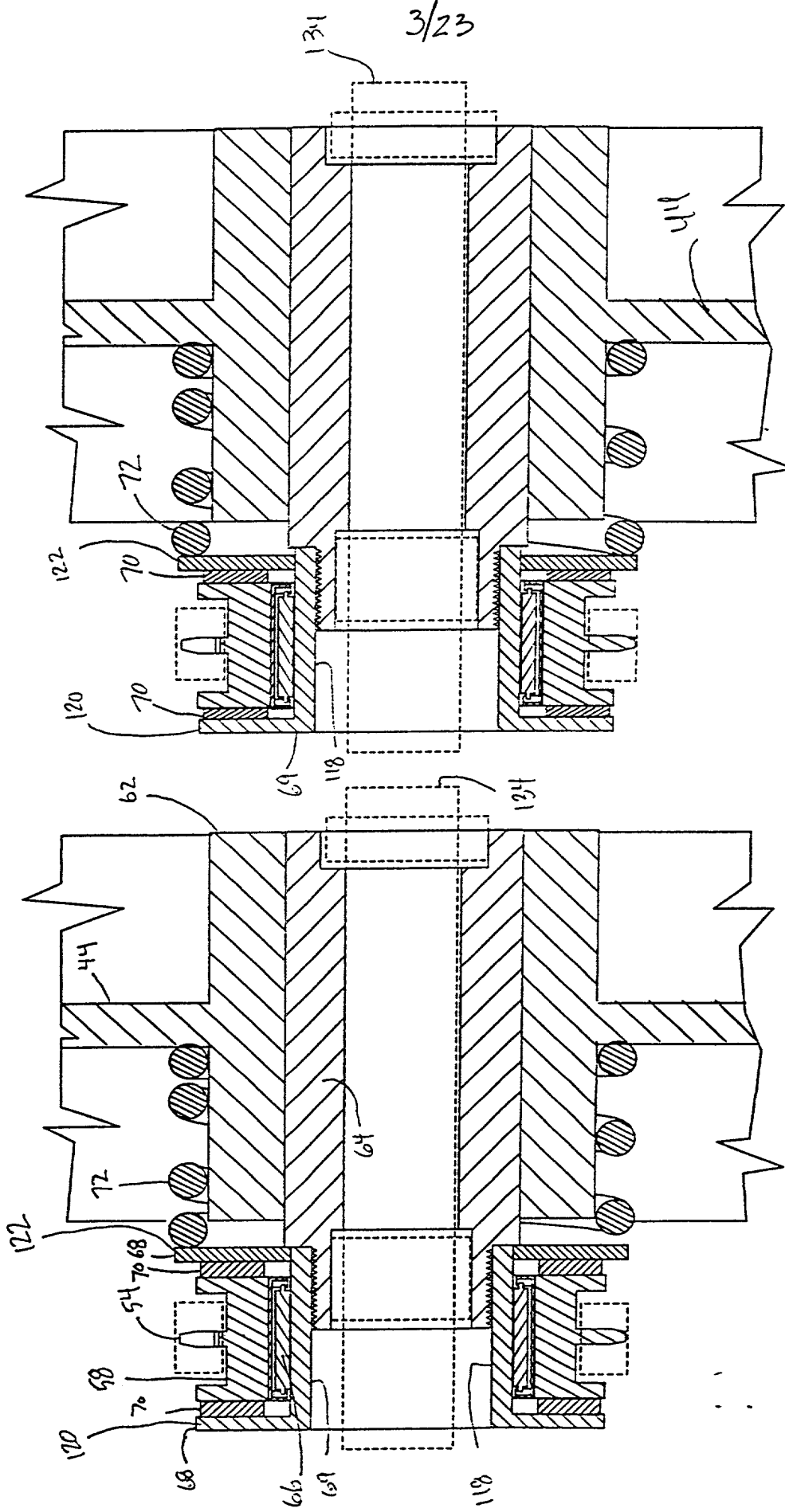


Fig. 5A

Fig. 5B



4/23

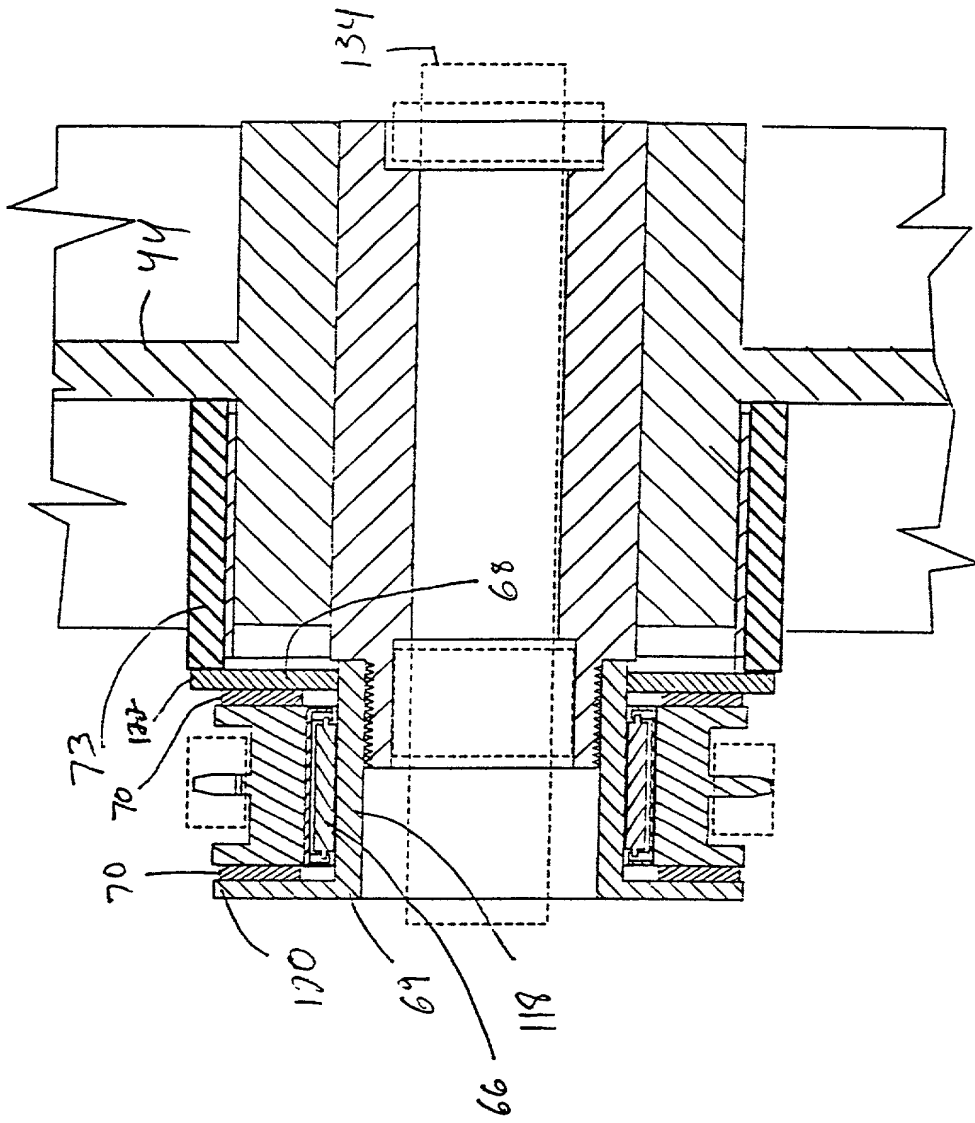


Fig. 5C

+

5/23

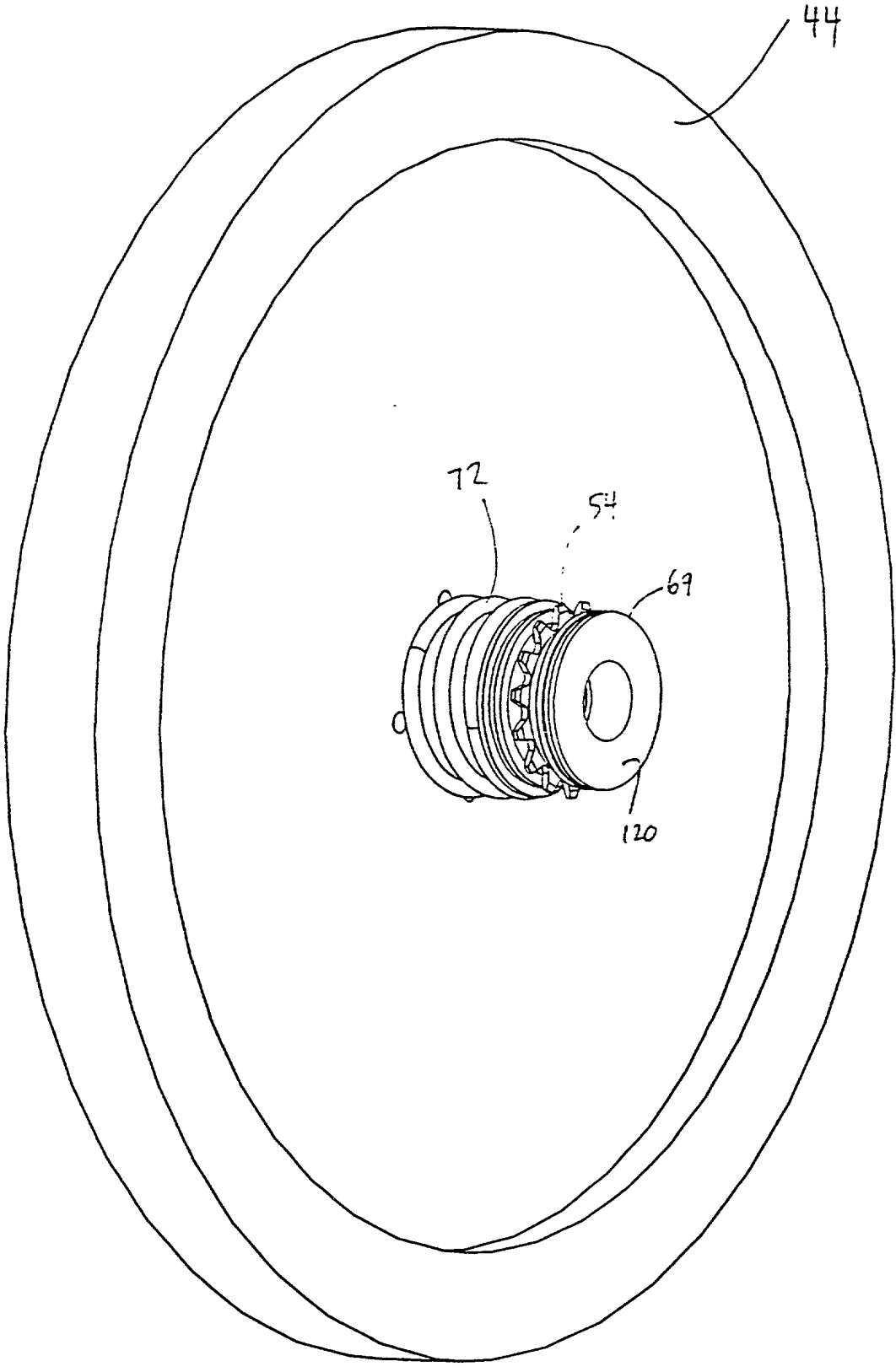


FIGURE 6

Fig. 6

+



6/23

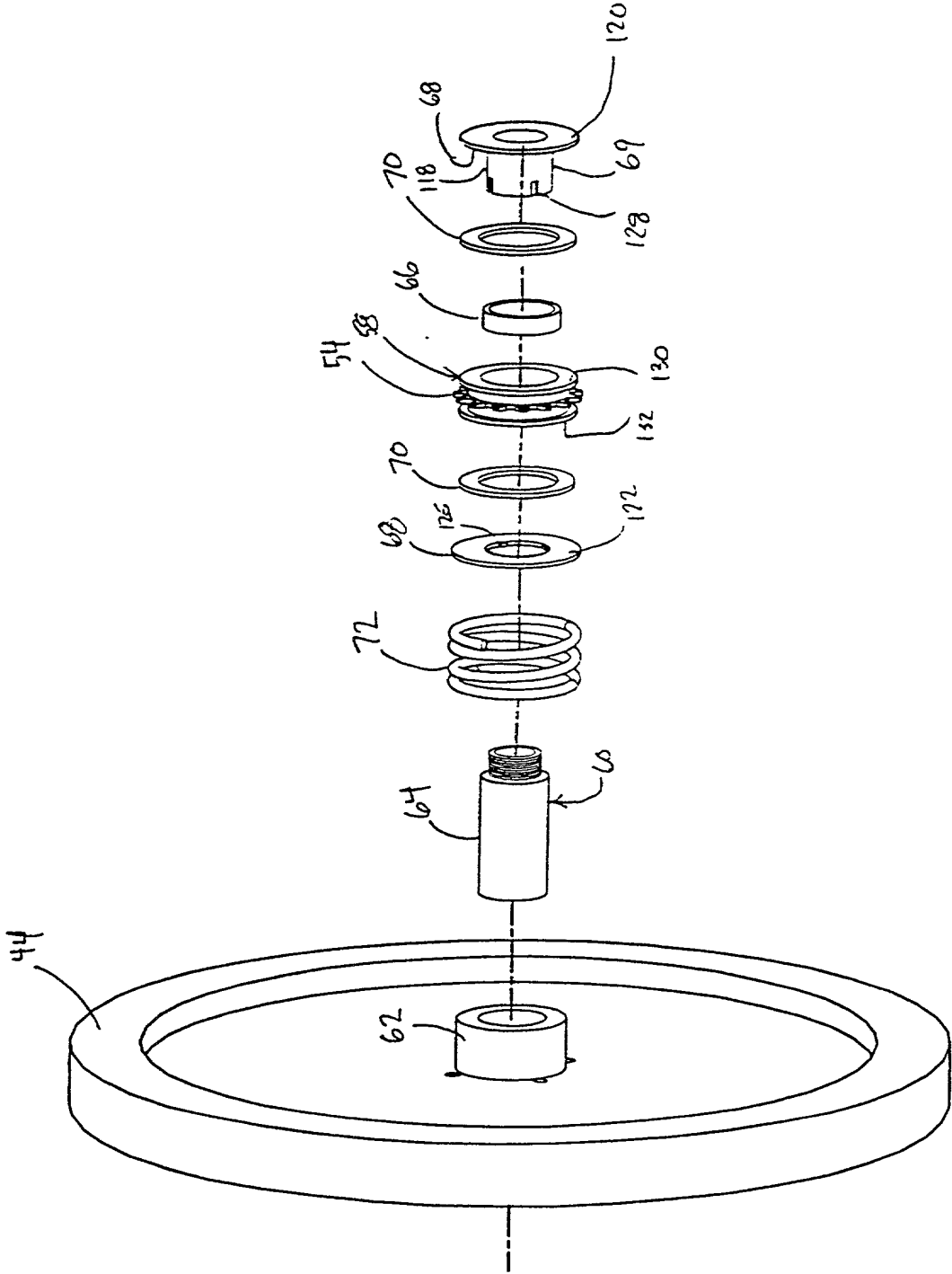


Fig. 7



+

7/23

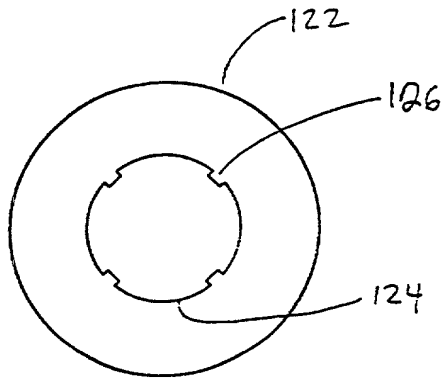


Fig. 8

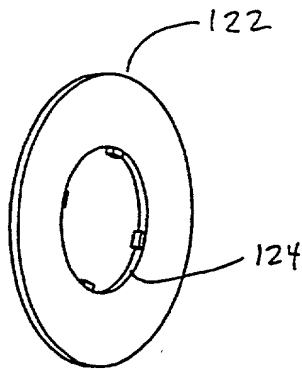


Fig. 9

FIGURE 8

⊥



8/23

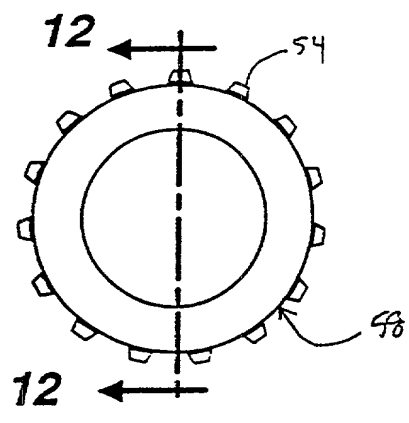


Fig. 10

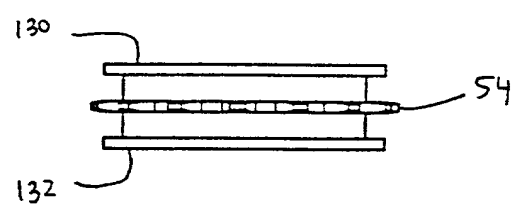


Fig. 11

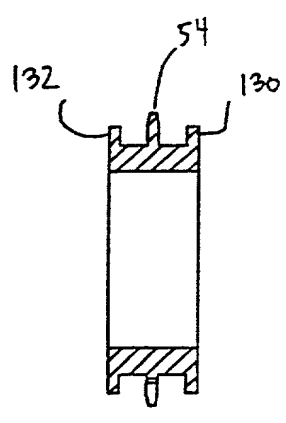


Fig. 12

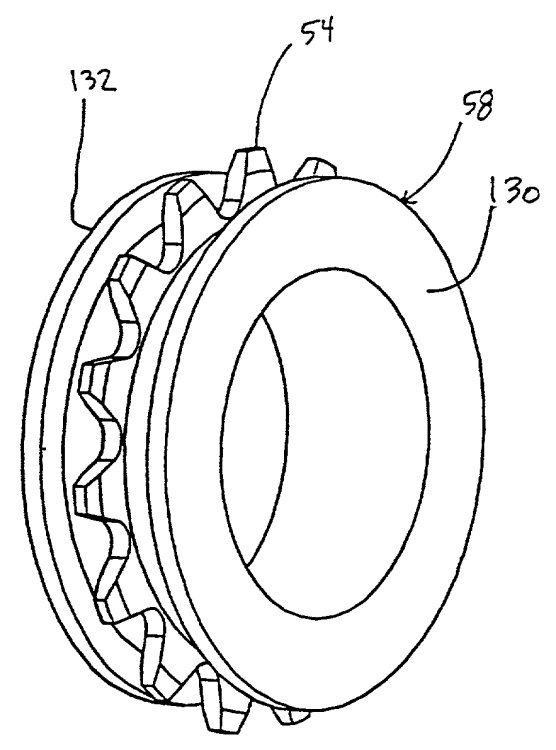
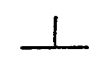


Fig. 13

FOUO-0E9E0B60



+

9/23

Fig. 14

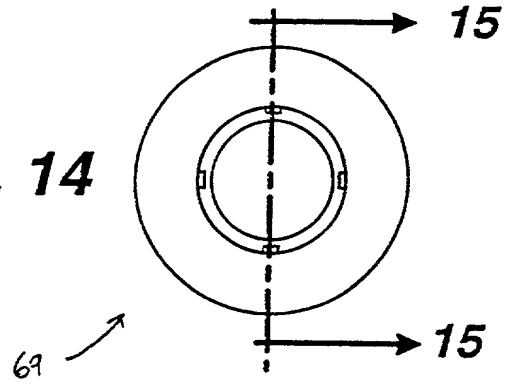


Fig. 15

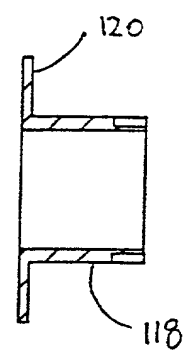


Fig. 16

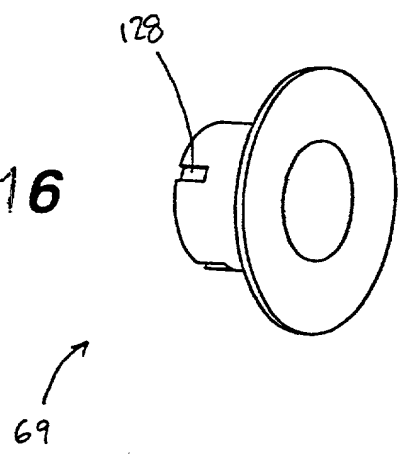


FIGURE 14

⊥

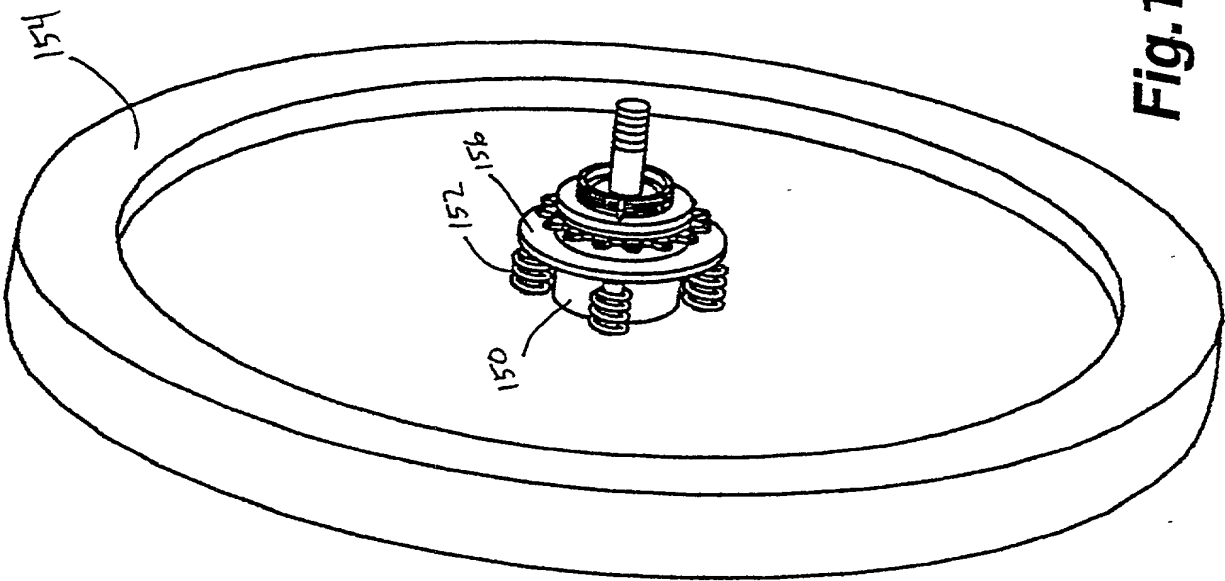


Fig.17

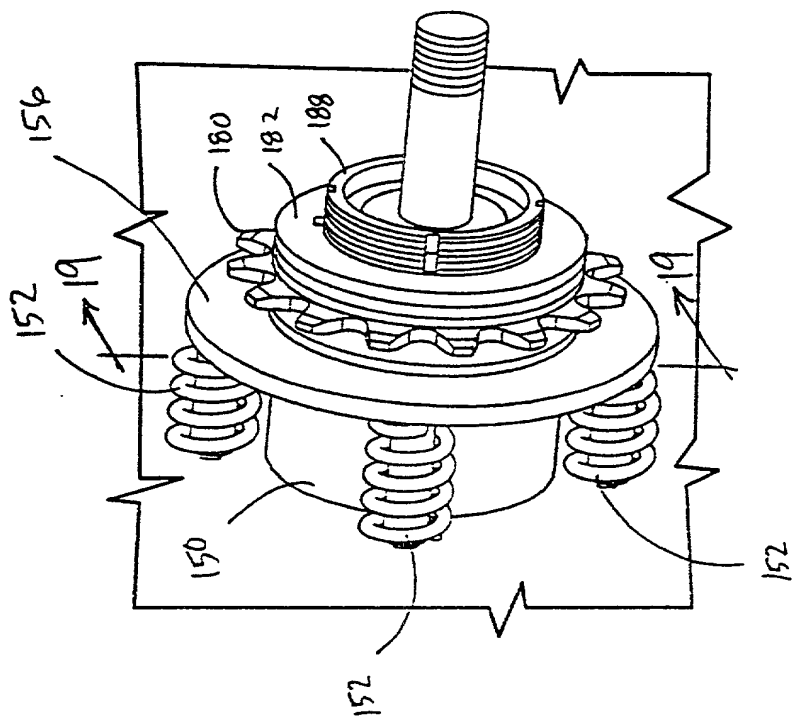


Fig. 18





11/23

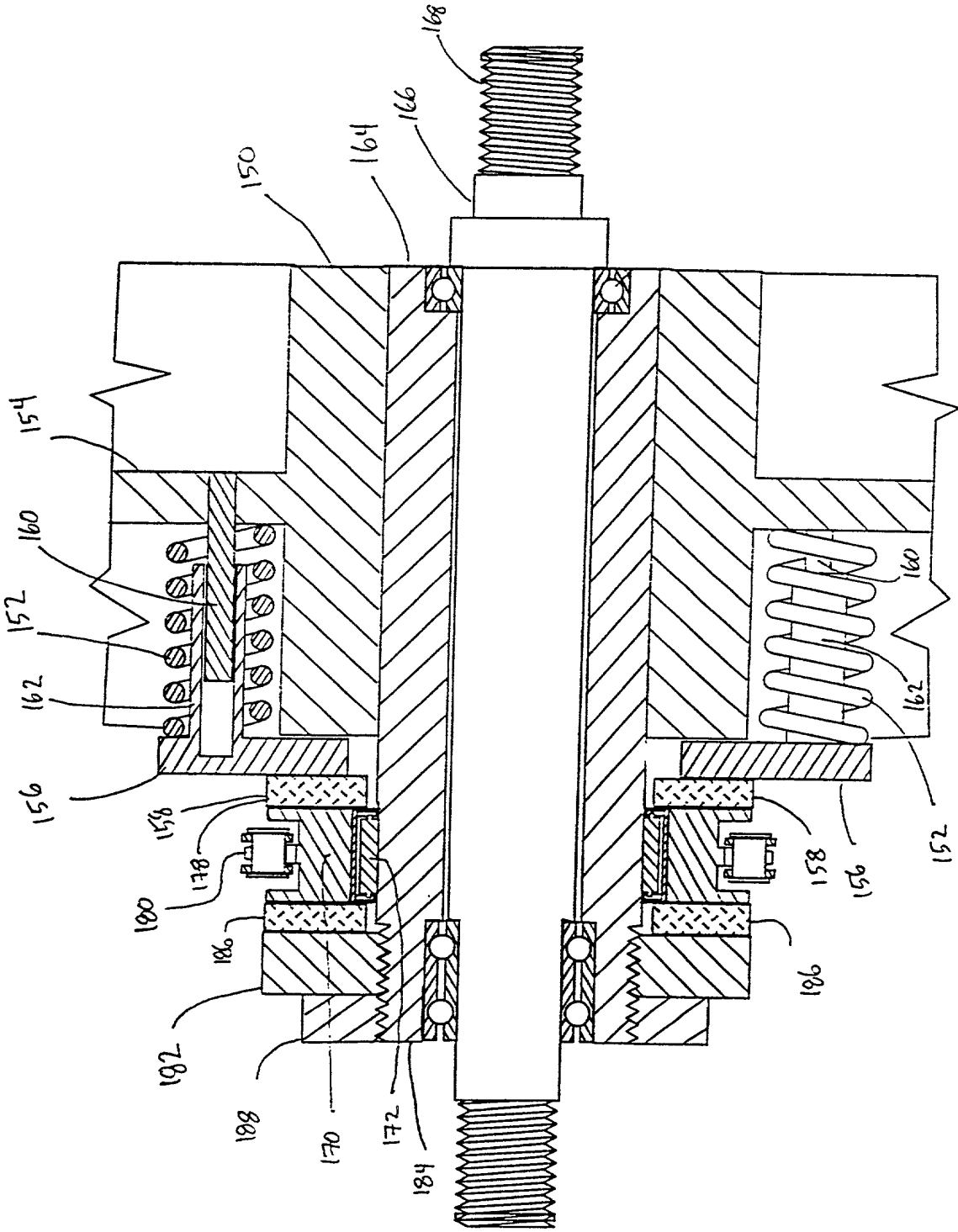


Fig. 19



+

12/23

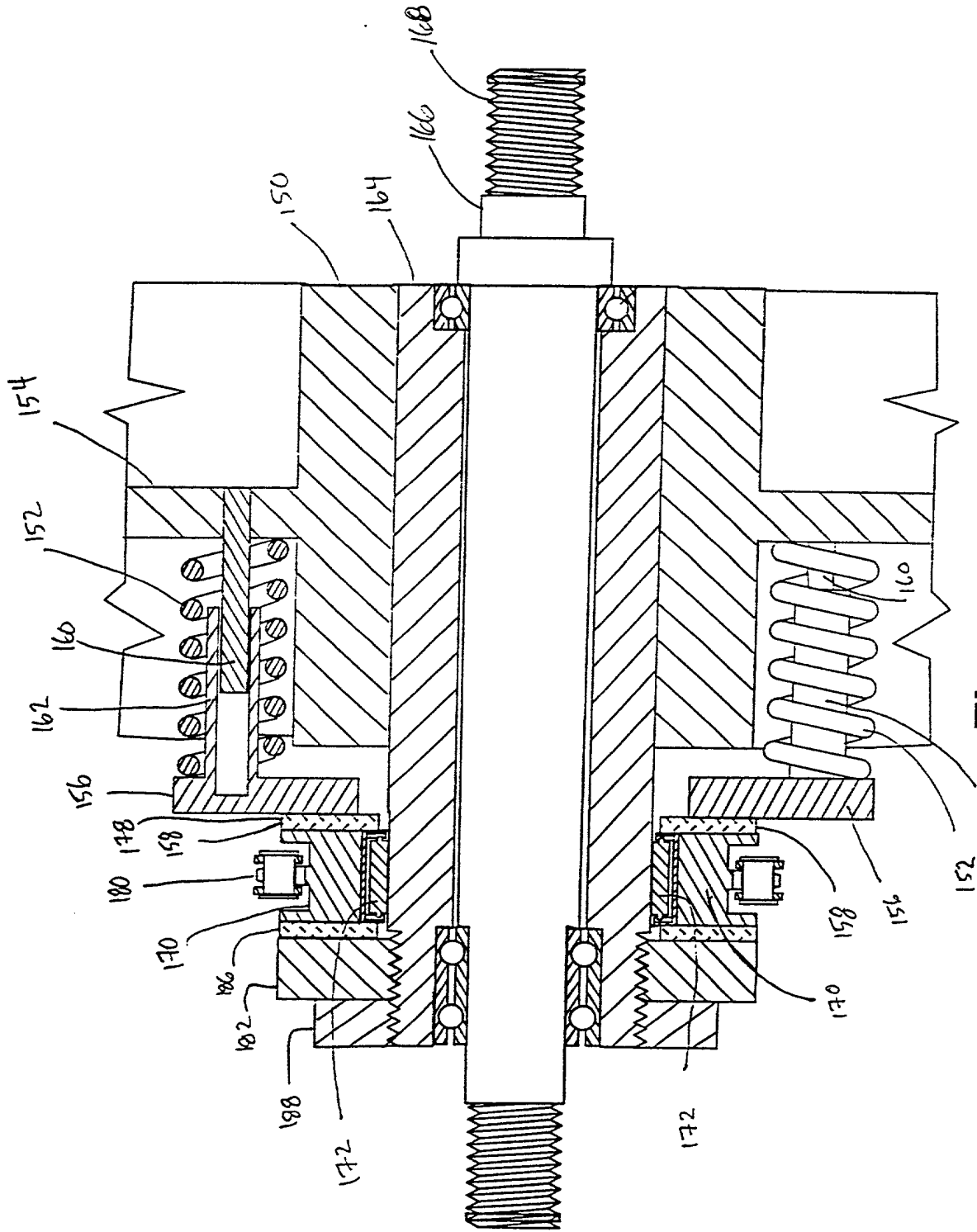


Fig. 20

+

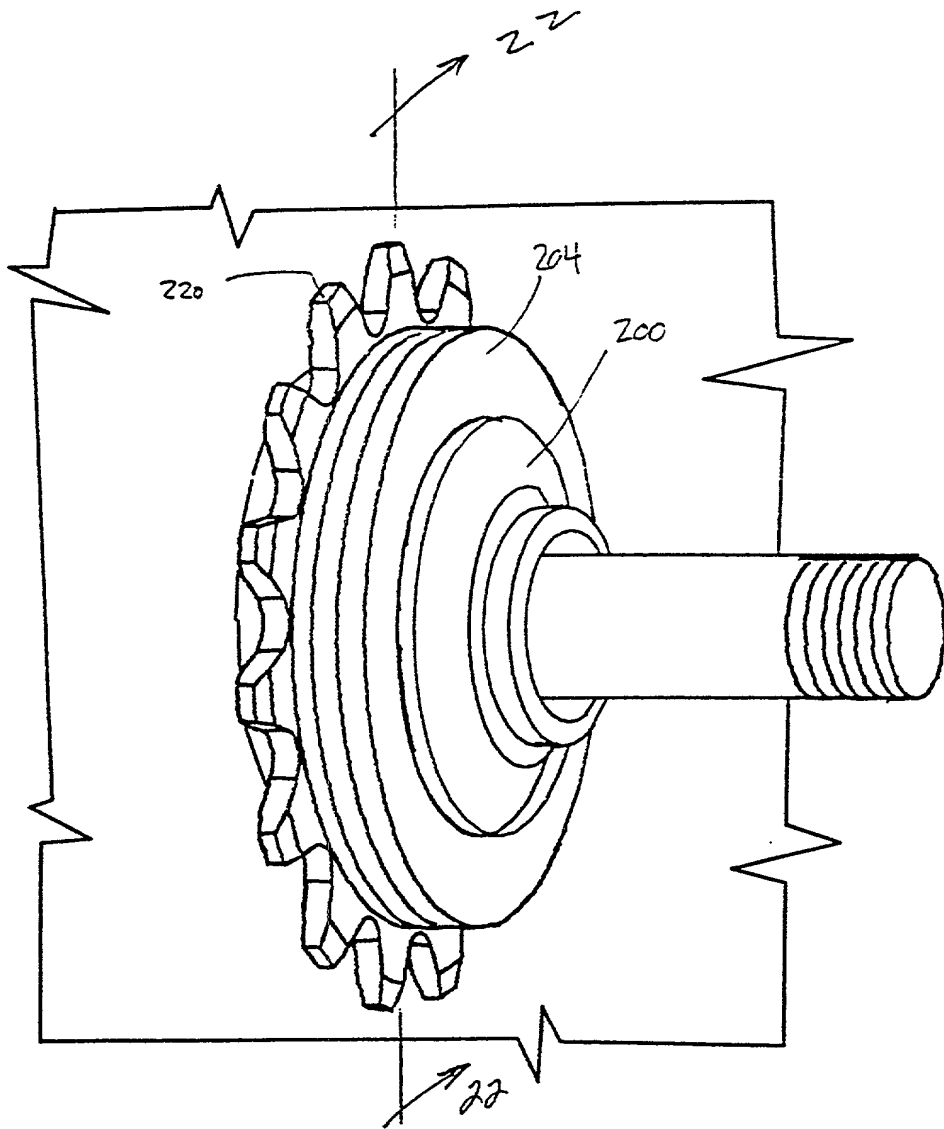


Fig. 21

FIGURE 21

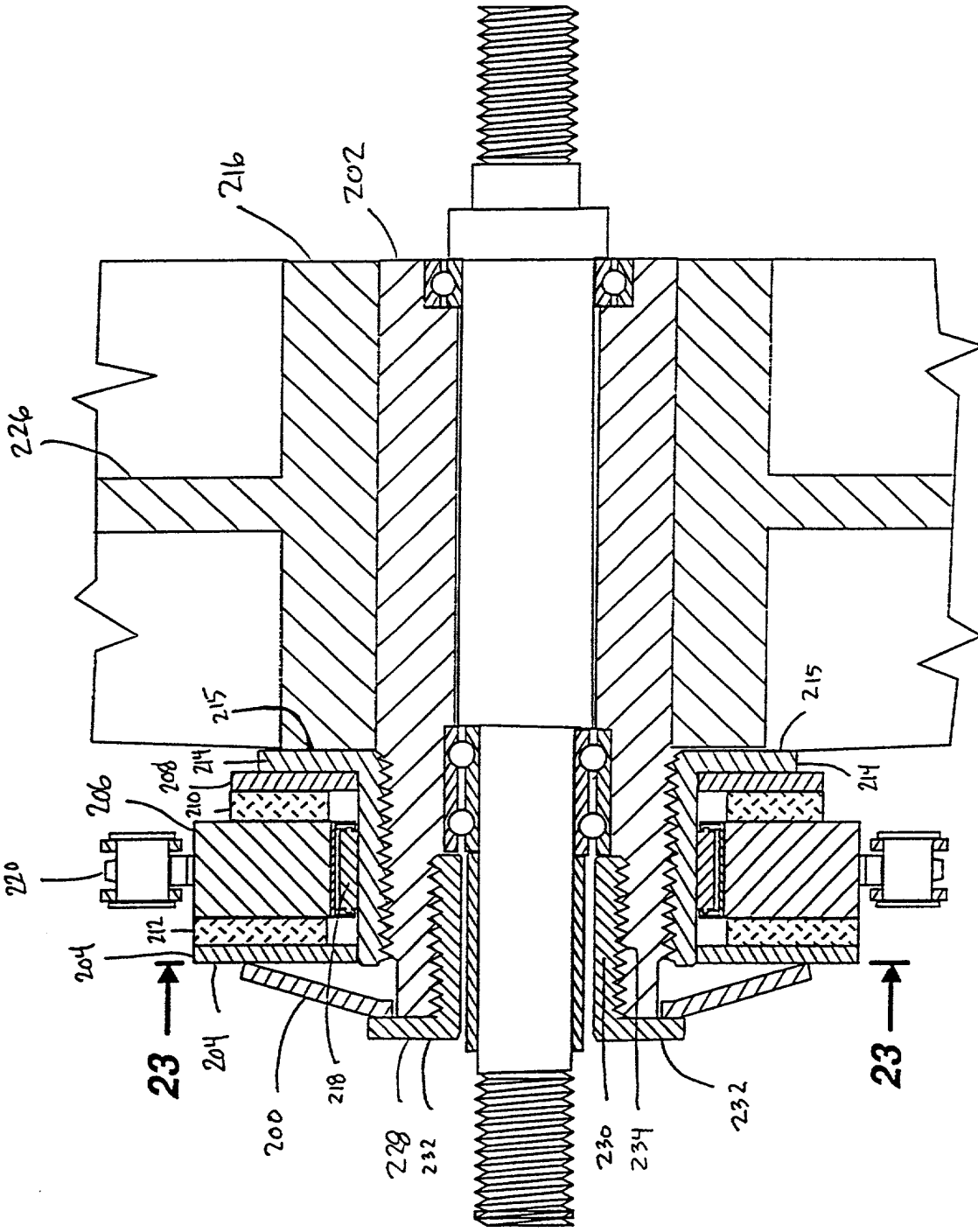


Fig. 22

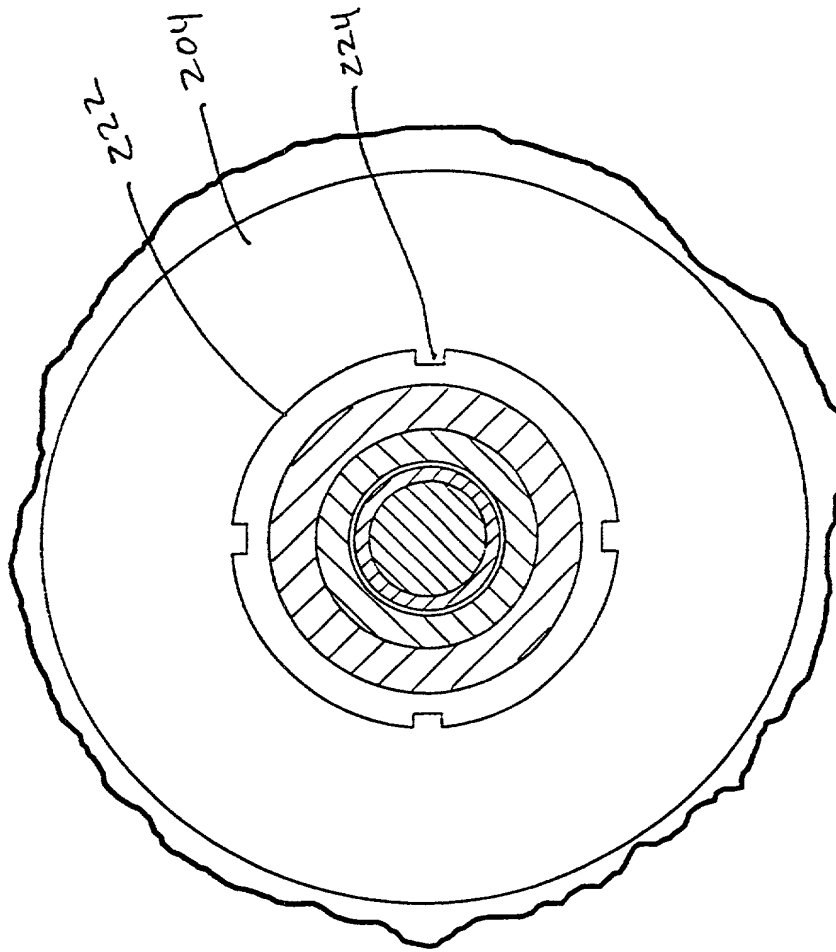


Fig. 23

FIGURE 23



16/23

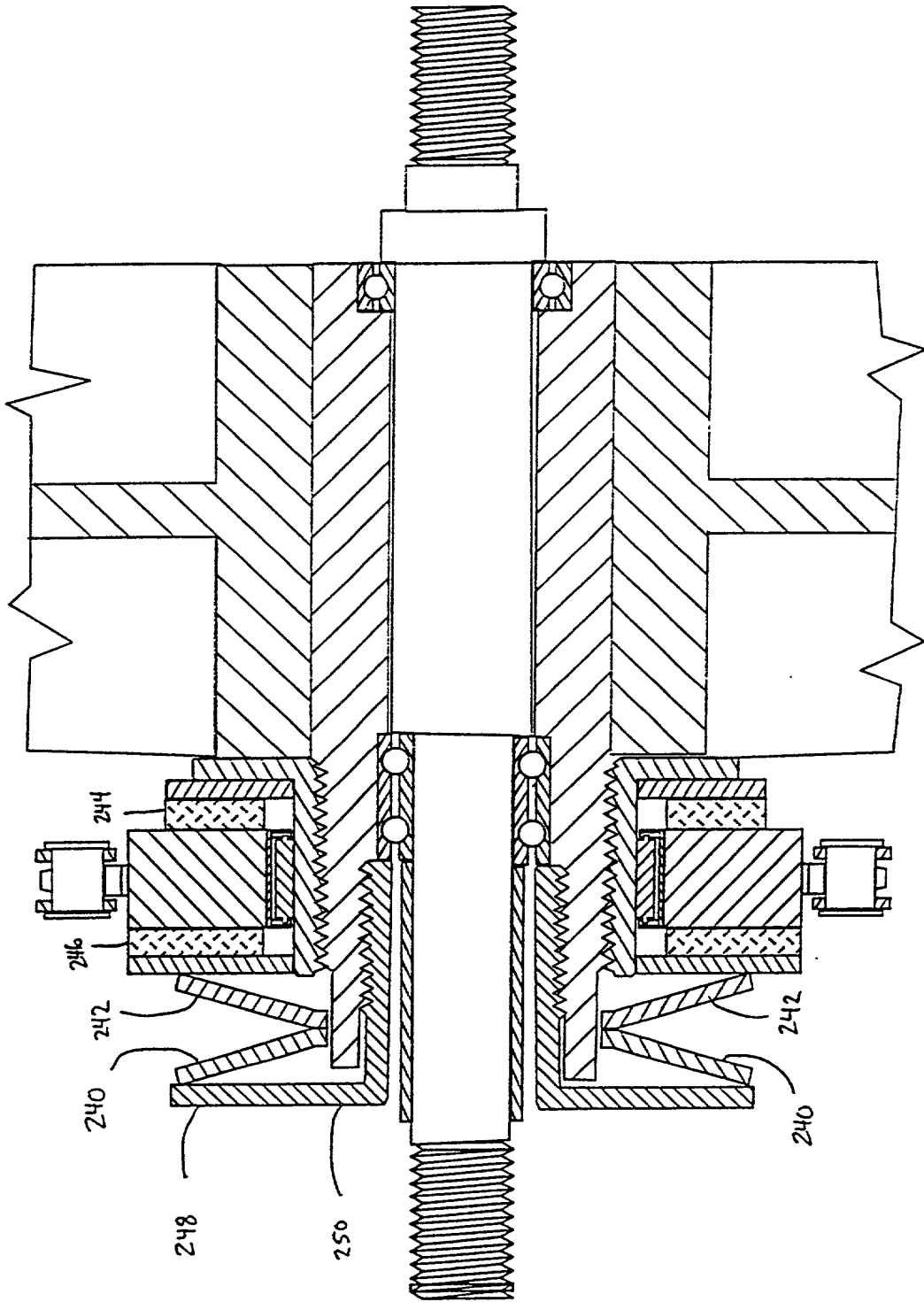


Fig. 24

FIGURE 24



17/23

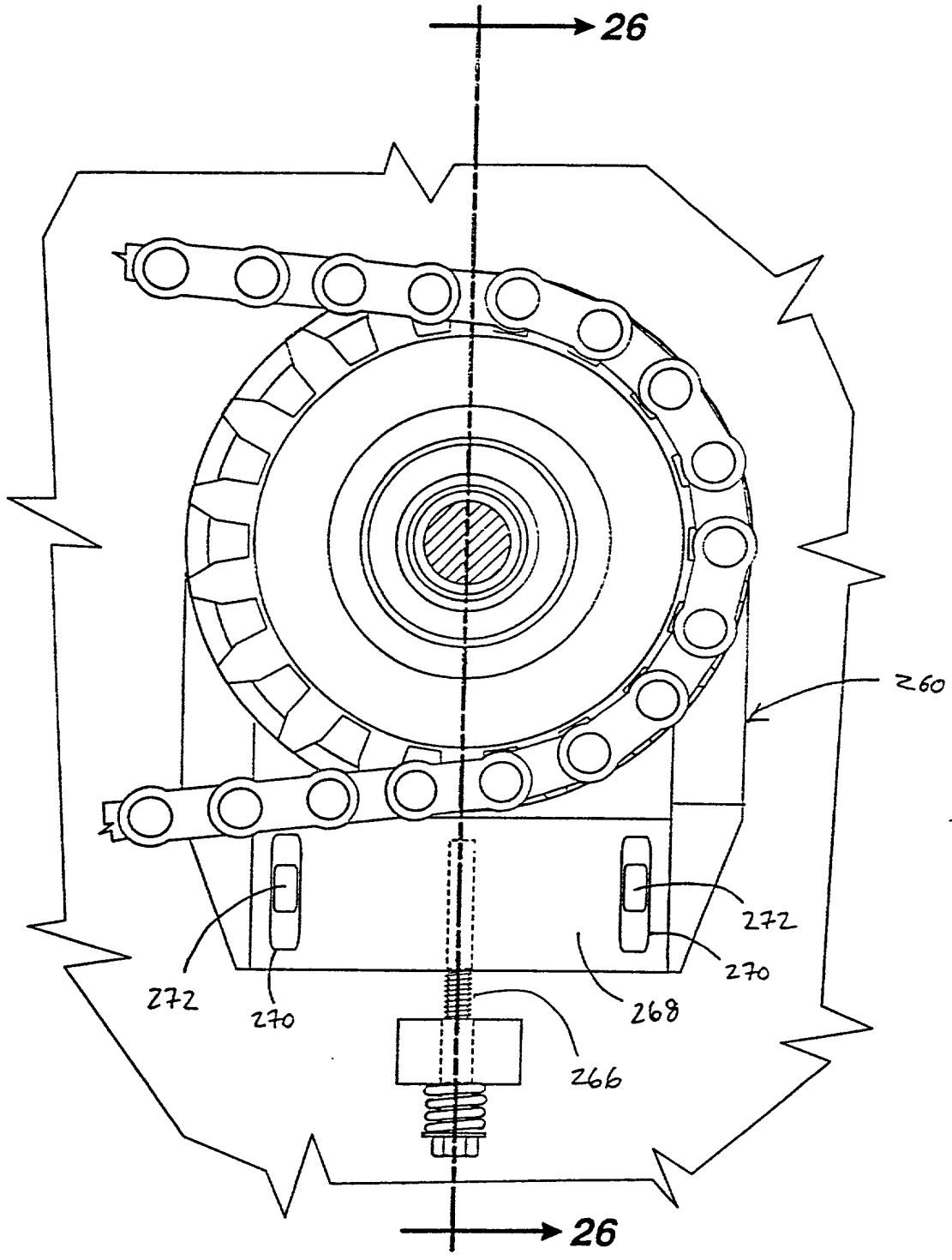


Fig. 25

FIGURE 25

18/23

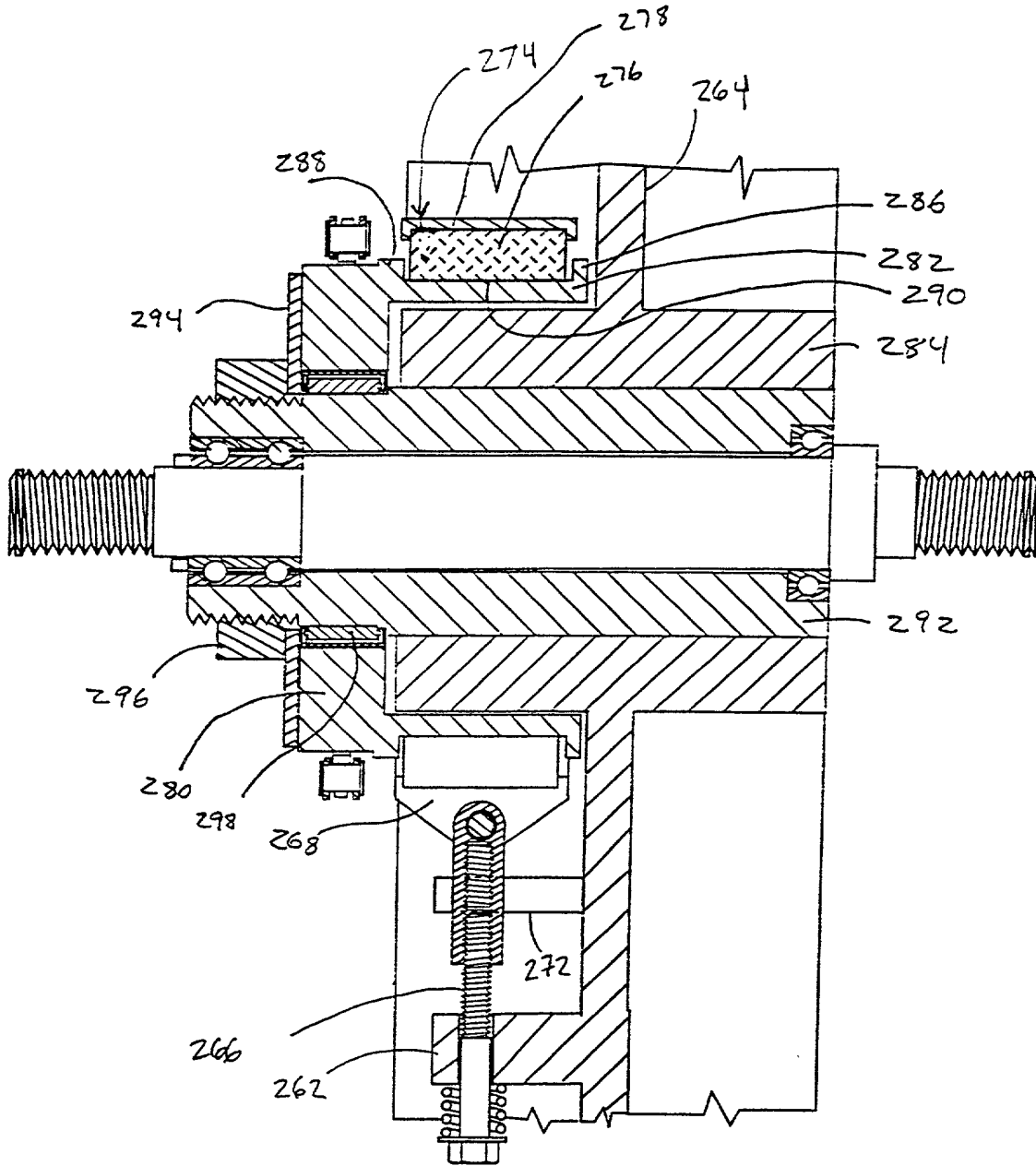


Fig. 26

+

19/23

FIGURE 27

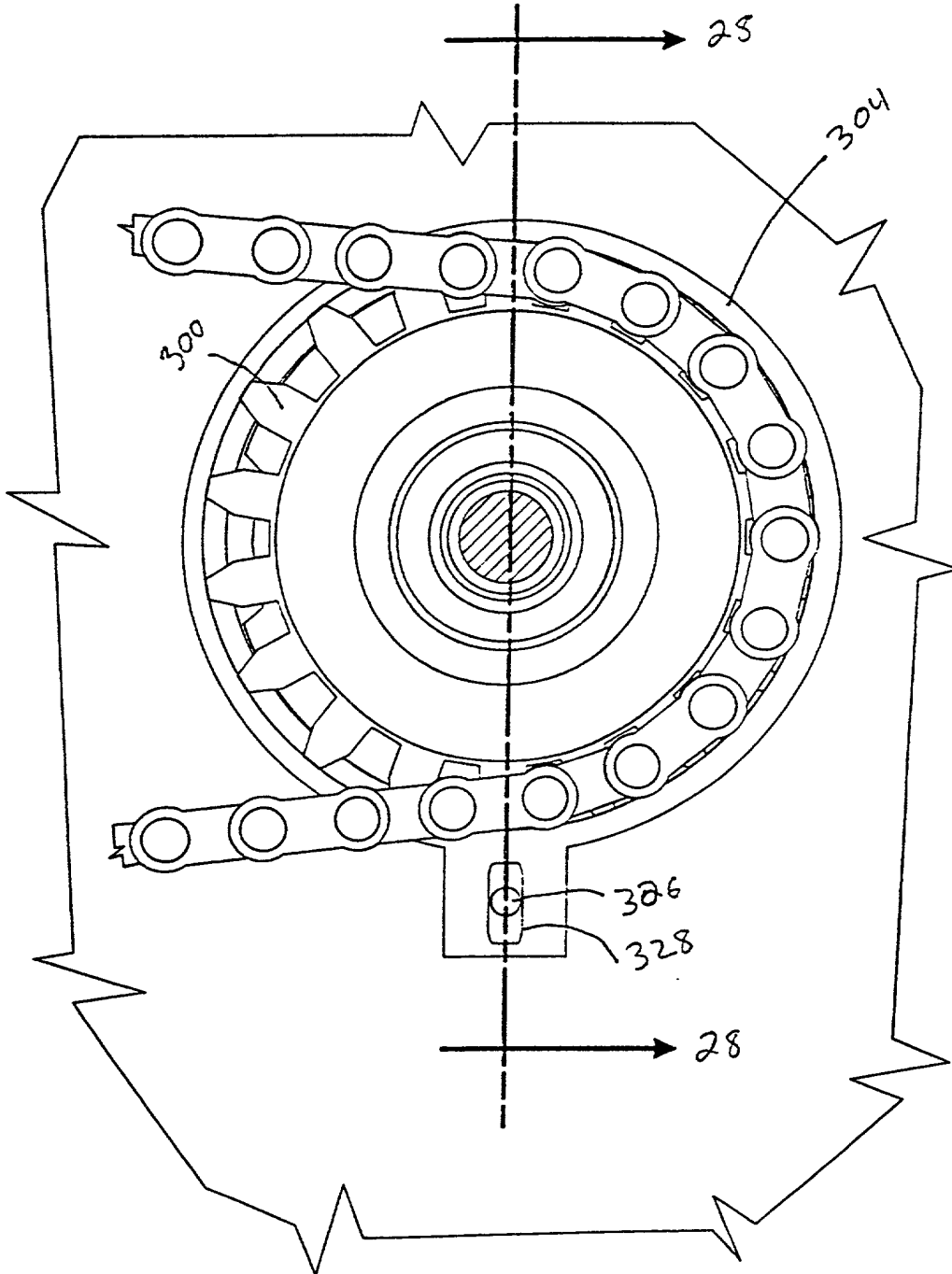


Fig. 27

+

+

20/23

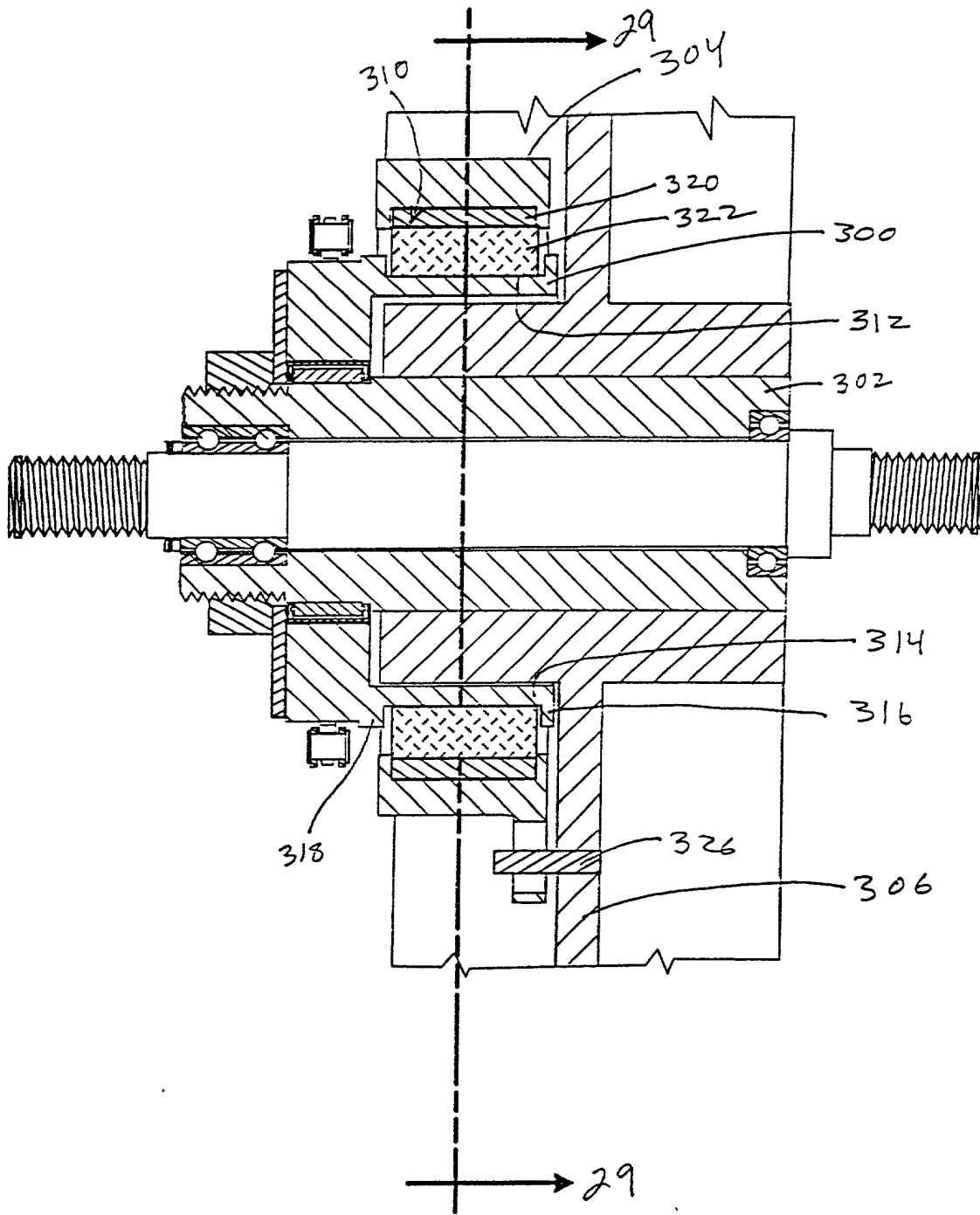


Fig. 28

FIGURE 28

+

+

21/23

FIG. 29

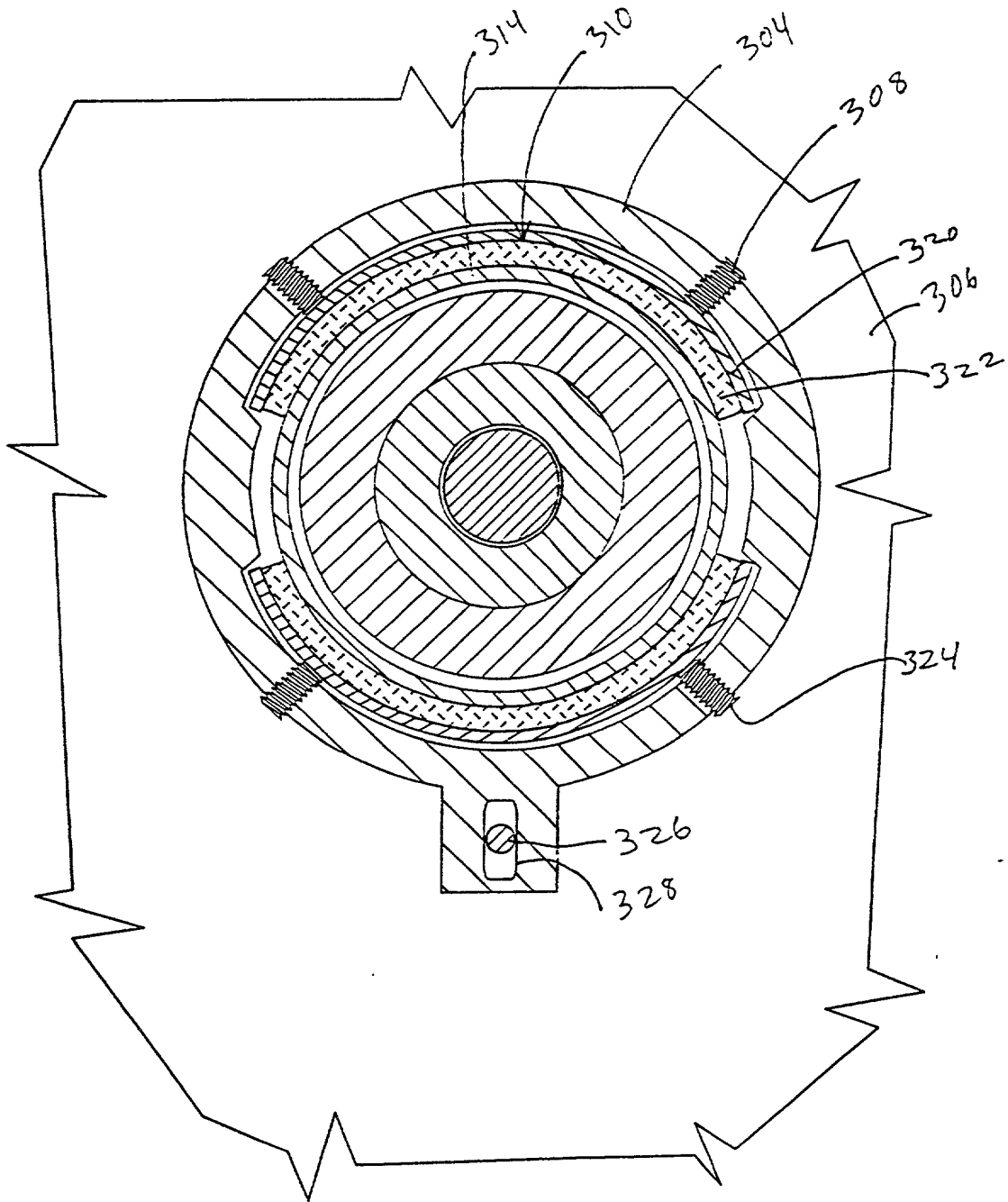


Fig. 29

⊥

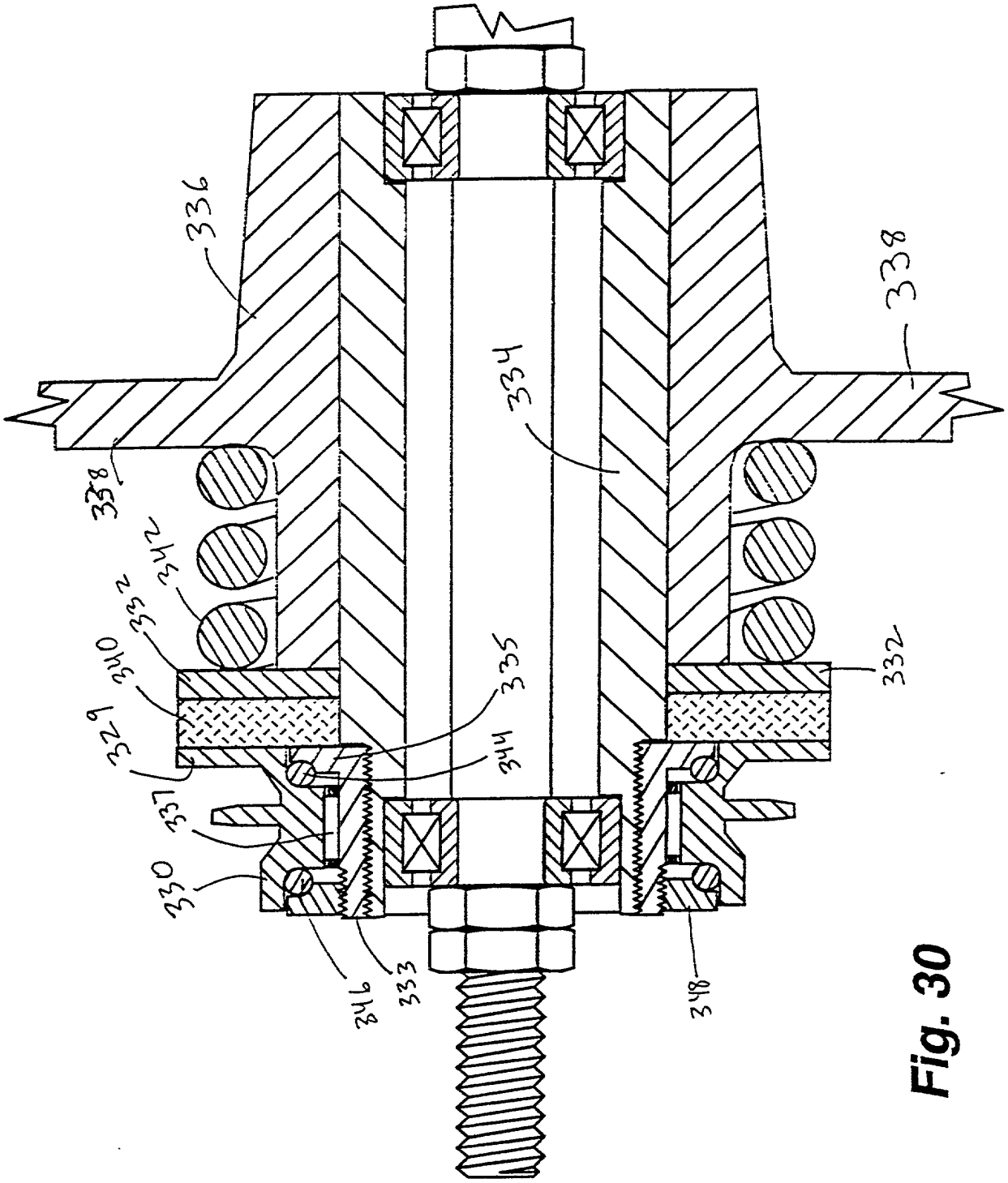


Fig. 30



FIGURE 31

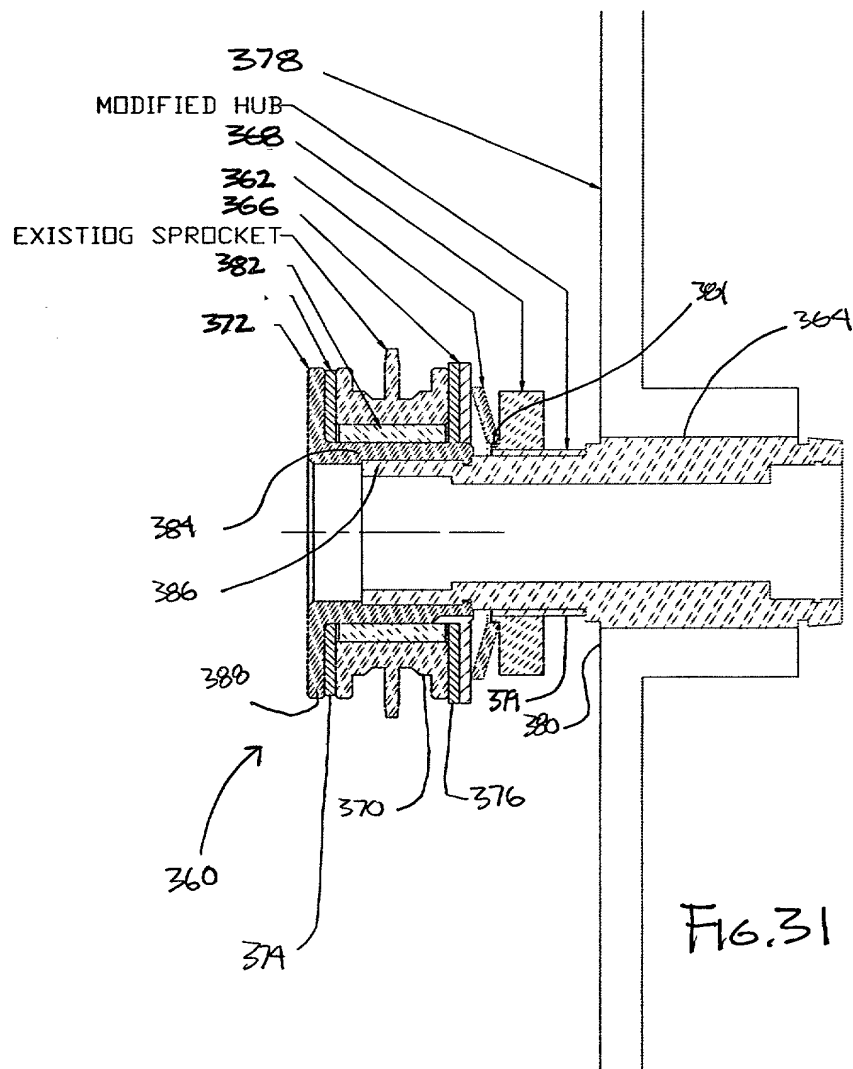


FIG.31